



Insulation Coupling Catalog



The Klo-Shure® Insulation Coupling **reduces the time** required to insulate copper tubing used for refrigerant lines, hot and cold water plumbing, and chilled water systems.

They are **easy to install**. The Klo-Shure® Insulation Coupling can be slit open to facilitate installation, and later secured with the provided metal clip. They also can be used unopened by sliding the coupling over tubing as it is installed. The new 9-Series Strut Mount is specifically designed for fiberglass insulation and available in copper tube or IPS sizes.

No special tools, glue or tape required.

Klo-Shure® Couplings are recommended for pipe fitters to support and level tubing during installation. This will allow insulation to be secured in seconds.

Contact Klo-Shure® Co. for a distributor in your area:

www.klo-shure.com



Made in USA

Klo-Shure® Insulation Couplings



7-series strut mount

Supports and secures tubing in strut mounted applications.



8-series strut mount

Installs in seconds without metal clamps.



9-series strut mount

For fiberglass insulation. Available for copper tube and IPS sizes.



clevis system

Locks the coupling into clevis hanger.



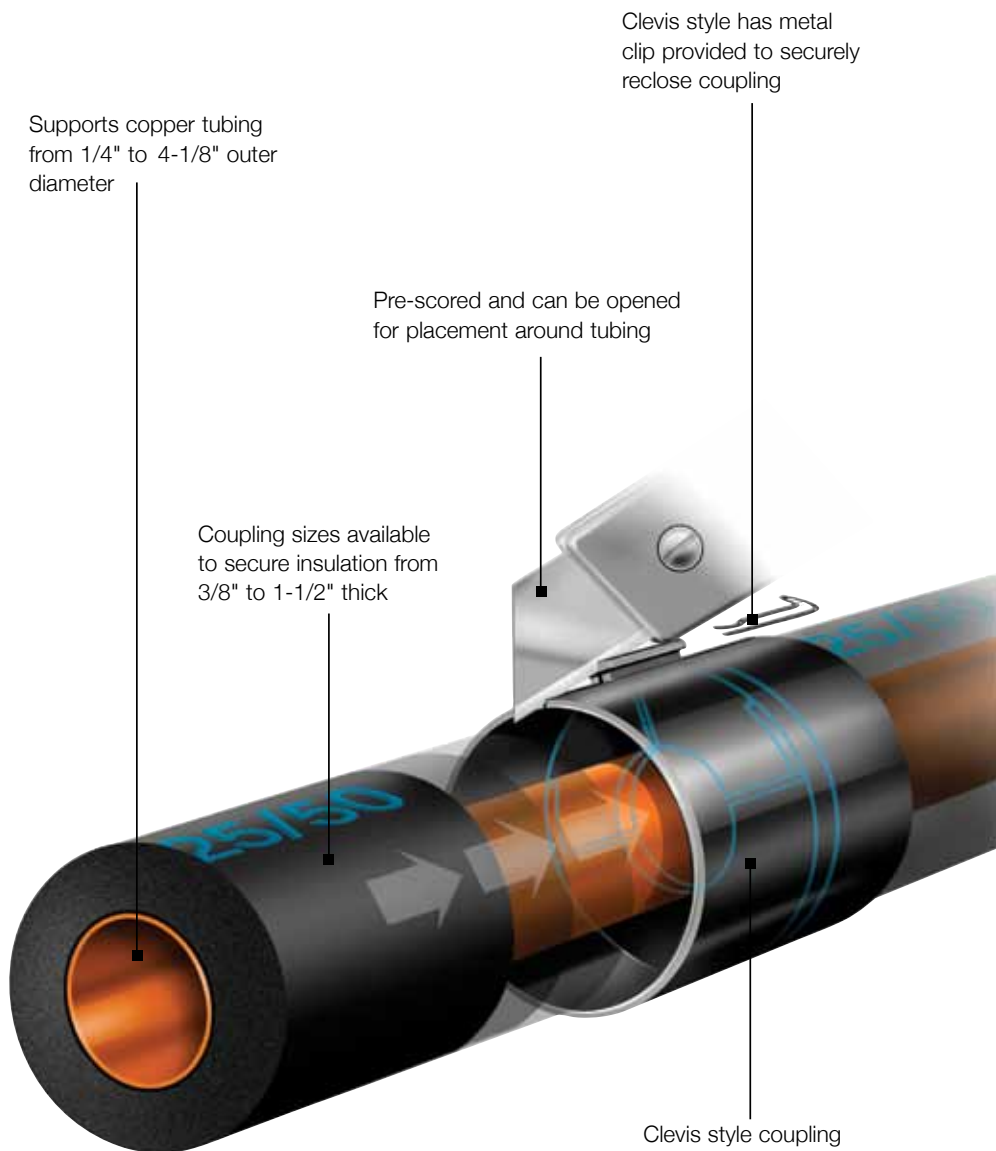
The patented coupling allows sections of closed-cell, elastomeric or fiberglass insulation to be secured at suspension points. *This eliminates having to double wrap, glue and tape insulation.*

The Klo-Shure® coupling can also be used to simply join and secure two lengths of insulation.

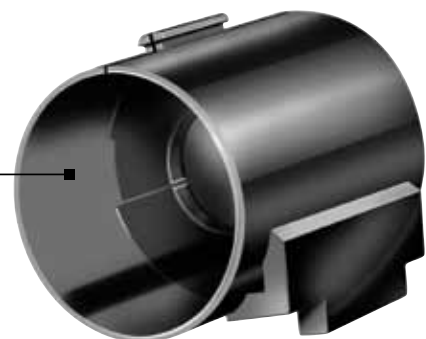
KLO-SHURE®

- Meets the **25/50** flame spread/smoke developed index.
- Made in USA
- Complete vapor barrier at suspension points **without gluing or taping.**
- Three times **faster** installation of closed-cell elastomeric and fiberglass insulation.
- Dramatically improved finished appearance of insulated tubing.
- Eliminates insulation compression at suspension points.
- For use with **strut mounted clamps and clevis hangers.**
- Currently available for 1/4" to 4-1/8" OD tube and 3/8" to 1-1/2" wall insulation.
- Manufactured from high strength TPO plastic.
- Available with 304 or 316 stainless steel hardware.

Klo-Shure® Features



Strut mounted coupling is supplied with clamp halves, fastener and locknut



Klo-Shure® Insulation Couplings specification and installation data



7-series strut mount



8-series strut mount



9-series strut mount



clevis system

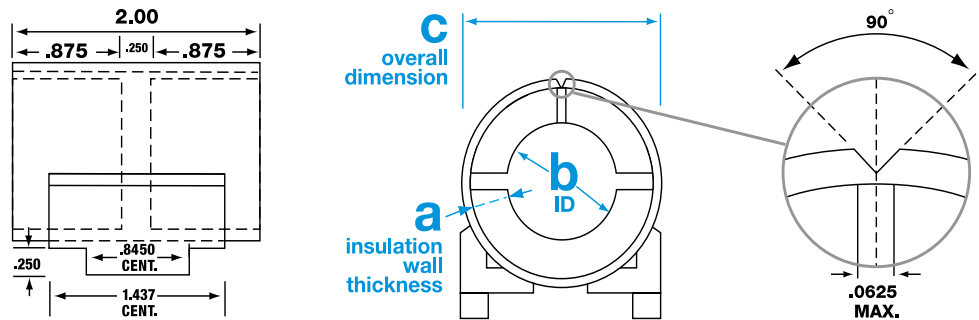
- All insulated copper tube and iron pipe lines are to be secured using resilient Klo-Shure Insulation Couplings and Hydra-Zorb anchor channel.
- Tubing supported and secured by internal part design.
- Insulation is to be inserted inside coupling with insulation contacting internal wall.
- Secondary operations (glue and tape) are not needed.
- Entire assembly can be assembled or disassembled with a single hand or power wrench.
- Proudly manufactured in the USA.

Klo-Shure® recommendations

- Coupling spacing should be no more than 60 diameters.
- Keep conductor runs as straight as possible.
- Overwrap of Klo-Shure coupling with elastomeric insulation is not required.
- Adhesives and tape are not required.
- 7 and 9-series acceptable for horizontal and vertical installations.

7-series strut mount Insulation Couplings

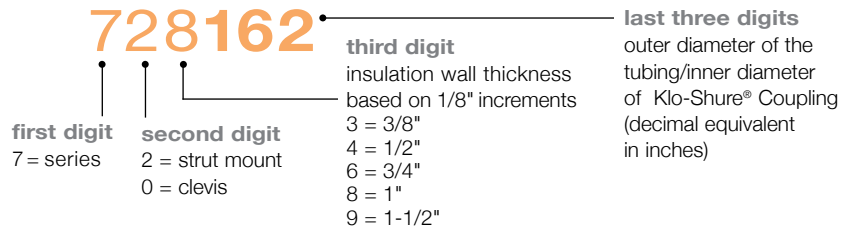
Klo-Shure® strut mounted parts include the Klo-Shure® Coupling, clamp halves with welded fastener and locknut. For use with elastomeric insulation.



part numbers

All Klo-Shure® couplings consist of a 6-digit part number. The following example indicates the breakdown of typical part numbers. (i.e. strut mounted part number for 1 5/8" tube with 1" wall insulation.)

*Klo-Shure ID equals copper tube OD.



a	*b-Klo-Shure® ID	C-overall dimension	part no.
Klo-Shure® Strut Mounted Coupling for 3/8" wall insulation	1/4" ID	1.12	723 025
	3/8" ID	1.25	723 037
	1/2" ID	1.37	723 050
	5/8" ID	1.50	723 062
	3/4" ID	1.62	723 075
	7/8" ID	1.75	723 087
	1" ID	1.87	723 100
	1-1/8" ID	2.00	723 112
	1-3/8" ID	2.25	723 137
	1-5/8" ID	2.50	723 162
	2-1/8" ID	3.00	723 212



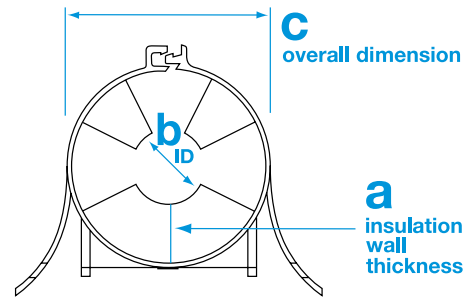
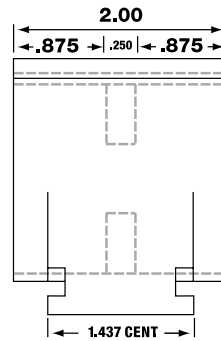
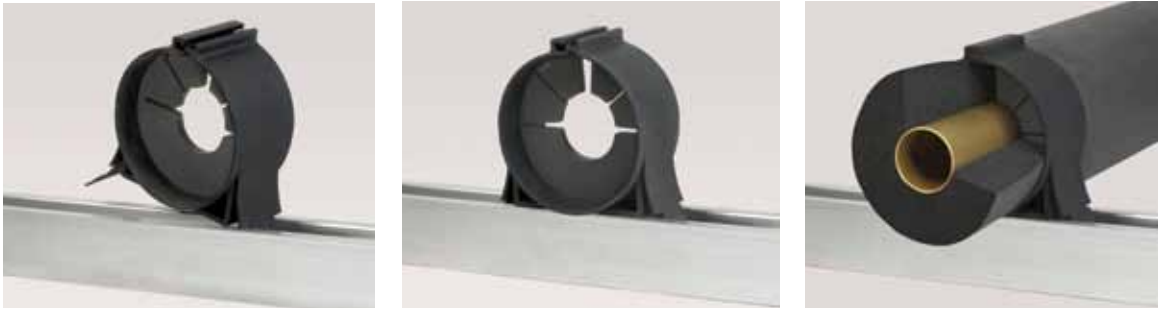
a	*b - Klo-Shure® ID	C - overall dimension	part no.	
Klo-Shure® Strut Mounted Coupling for 1/2" wall insulation	3/8" ID	1.50	724037	
	1/2" ID	1.62	724050	
	5/8" ID	1.75	724062	
	3/4" ID	1.87	724075	
	7/8" ID	2.00	724087	
	1" ID	2.12	724100	
	1-1/8" ID	2.25	724112	
	1-3/8" ID	2.50	724137	
	1-5/8" ID	2.75	724162	
	2-1/8" ID	3.25	724212	
	2-5/8" ID	3.75	724262	
	3-1/8" ID	4.25	724312	
	3-5/8" ID	4.75	724362	
4-1/8" ID	5.25	724412		
Klo-Shure® Strut Mounted Coupling for 3/4" wall insulation	1/4" ID	1.87	726025	
	3/8" ID	2.00	726037	
	1/2" ID	2.12	726050	
	5/8" ID	2.25	726062	
	3/4" ID	2.37	726075	
	7/8" ID	2.50	726087	
	1-1/8" ID	2.75	726112	
	1-3/8" ID	3.00	726137	
	1-5/8" ID	3.25	726162	
	2-1/8" ID	3.75	726212	
	2-5/8" ID	4.25	726262	
	3-1/8" ID	4.75	726312	
	3-5/8" ID	5.25	726362	
4-1/8" ID	5.75	726412		
Klo-Shure® Strut Mounted Coupling for 1" wall insulation	5/16" ID	2.43	728031	new
	3/8" ID	2.50	728037	
	1/2" ID	2.62	728050	
	5/8" ID	2.75	728062	
	7/8" ID	3.00	728087	
	1-1/8" ID	3.25	728112	
	1-3/8" ID	3.50	728137	
	1-5/8" ID	3.75	728162	
	2-1/8" ID	4.25	728212	
	2-5/8" ID	4.75	728262	
	3-1/8" ID	5.25	728312	
	3-5/8" ID	5.75	728362	
	4-1/8" ID	6.25	728412	
Klo-Shure® Strut Mounted Coupling for 1-1/2" wall insulation	5/16" ID	3.43	729031	new
	3/8" ID	3.50	729037	
	1/2" ID	3.62	729050	
	5/8" ID	3.75	729062	
	7/8" ID	4.00	729087	
	1-1/8" ID	4.25	729112	
	1-3/8" ID	4.50	729137	
	1-5/8" ID	4.75	729162	
	2-1/8" ID	5.25	729212	
	2-5/8" ID	5.75	729262	new
	3-1/8" ID	6.25	729312	

***Note:** Klo-Shure® ID equals copper tube OD. Chart indicates coupling sizes currently available from Klo-Shure®. All metal parts have Tri-Valent plating. *Please contact Klo-Shure® for 304 or 316 stainless steel hardware pricing.



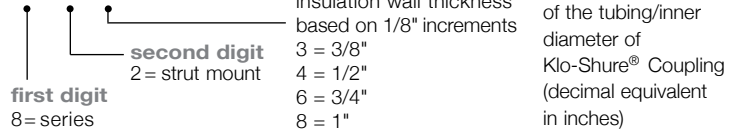
8-series strut mount Insulation Couplings

The Klo-Shure® 8-series coupling allows the installer to insert the Klo-Shure coupling into channel and lock the top. No metal clamps needed. For use with elastomeric insulation. Optional hand tool is available.



part numbers 824137

All Klo-Shure® couplings consist of a 6-digit part number. This shows the breakdown of typical part numbers:
(i.e. Strut mounted coupling for 1-3/8" tube with 1/2" wall insulation)



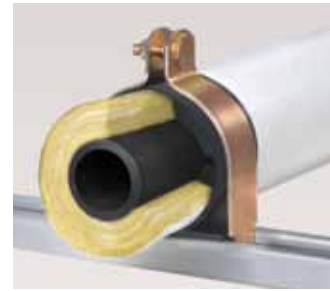
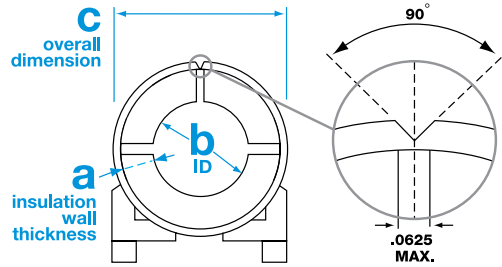
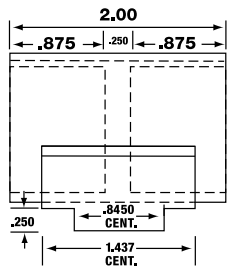
a	*b-Klo-Shure® ID	C-overall dimension	part no.
Klo-Shure® Coupling for 1/2" wall insulation	1/2" ID	1.62	824 050
	5/8" ID	1.75	824 062
	7/8" ID	2.00	824 087
	1-1/8" ID	2.25	824 112
	1-3/8" ID	2.50	824 137
	1-5/8" ID	2.75	824 162
Klo-Shure® Coupling for 3/4" wall insulation	2-1/8" ID	3.25	824 212
	5/8" ID	2.25	826 062
	7/8" ID	2.50	826 087
	1-1/8" ID	2.75	826 112
Klo-Shure® Coupling for 1" wall insulation	1-3/8" ID	3.00	826 137
	7/8" ID	3.00	828 087
	1-1/8" ID	3.25	828 112
	1-3/8" ID	3.50	828 137
	1-5/8" ID	3.75	828 162
	2-1/8" ID	4.25	828 212
	2-5/8" ID	4.75	828 262

*Note: Klo-Shure® ID equals tube OD.



9-series strut mount Insulation Couplings

Includes Klo-Shure® Coupling, clamp halves with welded fastener and locknut. For use with fiberglass insulation.



part numbers 928162

This example shows the breakdown of typical part numbers. (i.e. Strut mounted coupling for 1-5/8" tube with 1" wall insulation)

*Klo-Shure ID equals copper tube OD.

first digit
9 = series

second digit
2 = strut mount

third digit
insulation wall thickness based on 1/8" increments
4 = 1/2"
8 = 1"
9 = 1-1/2"

last three digits
outer diameter of the tube/pipe equals the inner diameter of Klo-Shure® Coupling (decimal equivalent in inches)

a	*b-Klo-Shure® ID	C-overall dimension	part no.
Klo-Shure® Strut Mounted Coupling copper tube sizes for 1/2" wall fiberglass insulation	5/8" ID	1.785	924 062
	7/8" ID	2.025	924 087
	1-1/8" ID	2.285	924 112
	1-3/8" ID	2.500	924 137
	1-5/8" ID	2.845	924 162
	2-1/8" ID	3.285	924 212
Klo-Shure® Strut Mounted Coupling copper tube sizes for 1" wall fiberglass insulation	5/8" ID	3.008	928 062
	7/8" ID	3.008	928 087
	1-1/8" ID	3.008	928 112
	1-3/8" ID	3.638	928 137
	1-5/8" ID	3.638	928 162
	2-1/8" ID	4.138	928 212
Klo-Shure® Strut Mounted Coupling copper tube sizes for 1-1/2" wall fiberglass insulation	7/8" ID	4.138	929 087
	1-1/8" ID	4.138	929 112
	1-3/8" ID	4.648	929 137
	1-5/8" ID	5.138	929 162
	2-1/8" ID	5.138	929 212

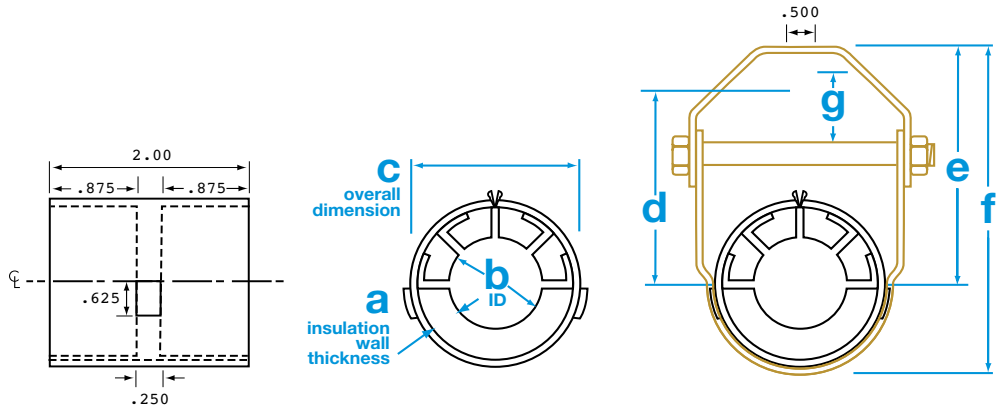
a	**b	C-overall dimension	part no.
Klo-Shure® Strut Mounted Coupling iron pipe sizes for 1/2" wall fiberglass insulation	1/2" Pipe (0.84)	2.025	924 084
	3/4" Pipe (1.05)	2.285	924 105
	1" Pipe (1.31)	2.500	924 131
	1-1/4" Pipe (1.66)	2.845	924 166
	1-1/2" Pipe (1.90)	3.285	924 190
Klo-Shure® Strut Mounted Coupling iron pipe sizes for 1" wall fiberglass insulation	1/2" Pipe (0.84)	3.008	928 084
	3/4" Pipe (1.05)	3.008	928 105
	1" Pipe (1.31)	3.638	928 131
	1-1/4" Pipe (1.66)	3.638	928 166
	1-1/2" Pipe (1.90)	3.950	928 190
	2" Pipe (2.37)	4.648	928 237
Klo-Shure® Strut Mounted Coupling iron pipe sizes for 1-1/2" wall fiberglass insulation	2-1/2" Pipe (2.87)	5.138	928 287
	1/2" Pipe (0.84)	4.138	929 084
	3/4" Pipe (1.05)	4.138	929 105
	1" Pipe (1.31)	4.648	929 131
	1-1/4" Pipe (1.66)	5.138	929 166
1-1/2" Pipe (1.90)	5.138	929 190	

*Note: Klo-Shure® ID equals copper tube OD. Chart indicates coupling sizes currently available from Klo-Shure®. All metal parts have Tri-Valent plating. **Note: Nominal pipe OD listed in parenthesis.



clevis hanger Insulation Couplings

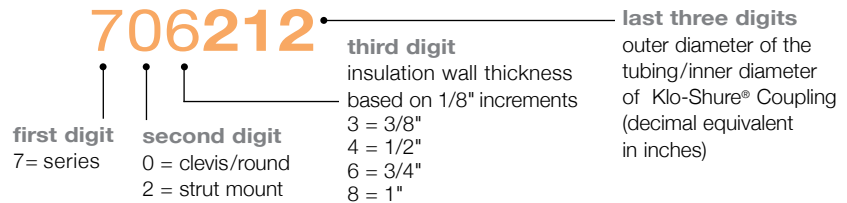
Klo-Shure® clevis hanger system includes clevis hanger, plastic coupling, and fastening clip. Sizes indicated on following page include metal clevis hanger.



coupling "C" dimension	material size	cross bolt size	max recommended load/lbs
2.12 to 3.25	14 ga. x 1.25	5/16"	250
3.50 to 5.75	12 ga. x 1.25	5/16"	350

part numbers

All Klo-Shure® couplings consist of a 6-digit part number. The following example indicates the breakdown of typical part numbers. (i.e. clevis mounted part number for 2-1/8" tube with 3/4" wall insulation.)



a	b	c	d	e	f	g	part no.
Klo-Shure®	1/4" ID	1.12	-	-	-	-	703025
Clevis Hanger	3/8" ID	1.25	-	-	-	-	703037
Coupling for	1/2" ID	1.37	-	-	-	-	703050
3/8" wall insulation	5/8" ID	1.50	-	-	-	-	703062
	3/4" ID	1.62	-	-	-	-	703075
	7/8" ID	1.75	2-1/2	3-3/8	4-3/8	7/16	703087*
	1" ID	1.87	2-5/8	3-7/16	4-1/2	1/2	703100*
	1-1/8" ID	2.00	2-7/8	3-1/2	4-5/8	5/8	703112*
	1-3/8" ID	2.25	3-3/16	3-13/16	5	15/16	703137*
	1-5/8" ID	2.50	3-1/2	4	5-1/2	1-1/16	703162*
	2-1/8" ID	3.00	4-3/16	4-3/4	6-1/2	1-5/16	703212*
Klo-Shure®	3/8" ID	1.50	-	-	-	-	704037
Clevis Hanger	1/2" ID	1.62	-	-	-	-	704050
Coupling for	5/8" ID	1.75	2-1/2	3-3/8	4-3/8	7/16	704062*
1/2" wall insulation	3/4" ID	1.87	2-5/8	3-7/16	4-1/2	1/2	704075*
	7/8" ID	2.00	2-7/8	3-1/2	4-5/8	5/8	704087*
	1" ID	2.12	3	3-5/8	4-7/8	7/8	704100*
	1-1/8" ID	2.25	3-3/16	3-13/16	5	15/16	704112*
	1-3/8" ID	2.50	3-1/2	4	5-1/2	1-1/16	704137*
	1-5/8" ID	2.75	3-3/4	4-3/8	5-7/8	1-1/4	704162*
	2-1/8" ID	3.25	4-1/2	5-1/8	6-7/8	1-7/16	704212*
	2-5/8" ID	3.75	5	5-5/8	7-5/8	1-11/16	704262*
	3-1/8" ID	4.25	5-13/16	6-7/16	8-3/4	2-1/8	704312*
	3-5/8" ID	4.75	6-5/16	6-7/8	9-3/8	2-15/16	704362*
	4-1/8" ID	5.25	6-7/8	7-1/2	10-1/8	2-9/16	704412*
Klo-Shure®	1/4" ID	1.87	2-5/8	3-7/16	4-1/2	1/2	706025*
Clevis Hanger	3/8" ID	2.00	2-7/8	3-1/2	4-5/8	5/8	706037*
Coupling for	1/2" ID	2.12	3	3-5/8	4-7/8	7/8	706050*
3/4" wall insulation	5/8" ID	2.25	3-3/16	3-13/16	5	15/16	706062*
	3/4" ID	2.37	3-5/16	3-15/16	5-1/4	1	706075*
	7/8" ID	2.50	3-1/2	4	5-1/2	1-1/16	706087*
	1-1/8" ID	2.75	3-3/4	4-3/8	5-7/8	1-1/4	706112*
	1-3/8" ID	3.00	4-3/16	4-3/4	6-1/2	1-5/16	706137*
	1-5/8" ID	3.25	4-1/2	5-1/8	6-7/8	1-7/16	706162*
	2-1/8" ID	3.75	5	5-5/8	7-5/8	1-11/16	706212*
	2-5/8" ID	4.25	5-13/16	6-7/16	8-3/4	2-1/8	706262*
	3-1/8" ID	4.75	6-5/16	6-7/8	9-3/8	2-5/16	706312*
	3-5/8" ID	5.25	6-7/8	7-1/2	10-1/8	2-9/16	706362*
	4-1/8" ID	5.75	7-1/4	7-7/8	10-3/4	2-3/4	706412*
Klo-Shure®	5/8" ID	2.75	3-3/4	4-3/8	5-7/8	1-1/4	708062*
Clevis Hanger	7/8" ID	3.00	4-3/16	4-3/4	6-1/2	1-5/16	708087*
Coupling for	1-1/8" ID	3.25	4-1/2	5-1/8	6-7/8	1-7/16	708112*
1" wall insulation	1-3/8" ID	3.50	4-3/4	5-3/8	7-1/4	1-9/16	708137*
	1-5/8" ID	3.75	5	5-5/8	7-5/8	1-11/16	708162*
	2-1/8" ID	4.25	5-13/16	6-7/16	8-3/4	2-1/8	708212*
	2-5/8" ID	4.75	6-5/16	6-7/8	9-3/8	2-5/16	708262*
	3-1/8" ID	5.25	6-7/8	7-1/2	10-1/8	2-9/16	708312*
	3-5/8" ID	5.75	7-1/4	7-7/8	10-3/4	2-3/4	708362*

Note: Klo-Shure® ID equals copper tube OD.

Chart indicates coupling sizes currently available from Klo-Shure®.

Plastic coupling available without clevis hanger. Contact factory for price and availability.

* Part number includes metal clevis hanger

All metal parts have Tri-Valent plating.

HYDRA-ZORB

THE TRH HANGER SYSTEM

The TRH Hanger System provides a superior fit and finish to better meet contractor and engineer specifications. By simply squeezing the tips together, the spring steel hanger can be secured or adjusted in seconds.

The TRH Hanger System supports a pair of insulated flow and return refrigerant lines on 1/4" to 3/8" threaded rod. Simply fold the lock-tab over to secure the lines into the strap.



- Supports a pair of insulated liquid and suction lines
- Spring steel rod hanger can be fitted or adjusted in seconds
- Works with 1/4" – 3/8" threaded rod



The spring steel hanger grips the rod tightly, and the black zinc coating offers corrosion resistance while matching the insulation color. The clamp can be detached from the rod hanger and used to secure lines to flat surfaces (see photo at right).

Part Code	Liquid Pipe Diameter (inches)	Gas Pipe Diameter (inches)	Threaded Rod Diameter
TRH-2	3/8	5/8	1/4" – 3/8"
TRH-3	1/2	7/8	1/4" – 3/8"
TRH-4	5/8	1-1/8	1/4" – 3/8"
NEW! TRH-5	7/8	1-3/8	1/4" – 3/8"

248-373-5151
www.hydra-zorb.com

DISTRIBUTED BY:



www.klo-shure.com

2450 Commercial Drive, Auburn Hills, MI 48326

phone 248-373-6250

fax 248-373-6431

email sales@klo-shure.com



C2013